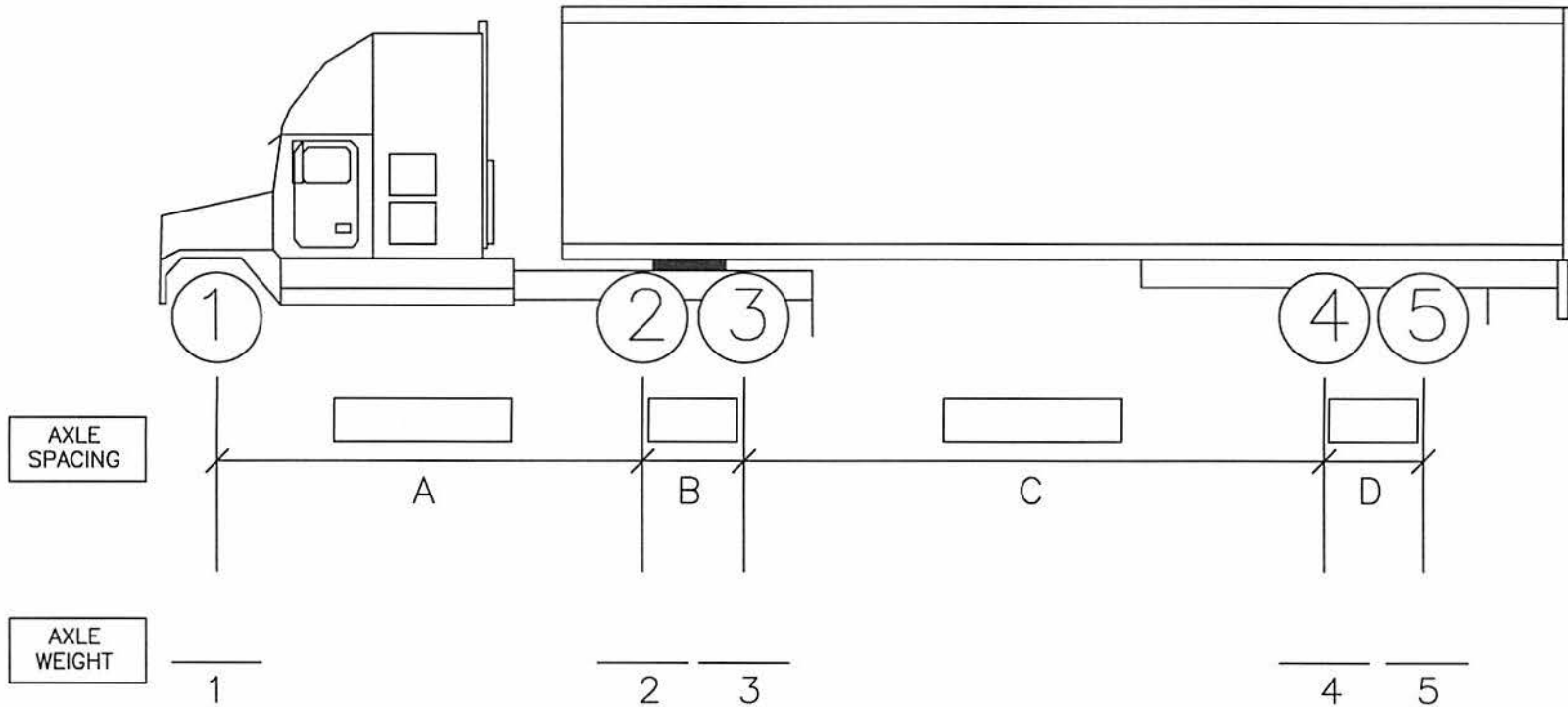


**INSTRUCTIONS:**

1. FILL IN THE CENTER-TO-CENTER AXLE SPACINGS IN THE FIRST LINE (ITEMS A-D).
2. FILL IN THE AXLE WEIGHTS IN POUNDS IN THE SECOND LINE (ITEMS 1-5).



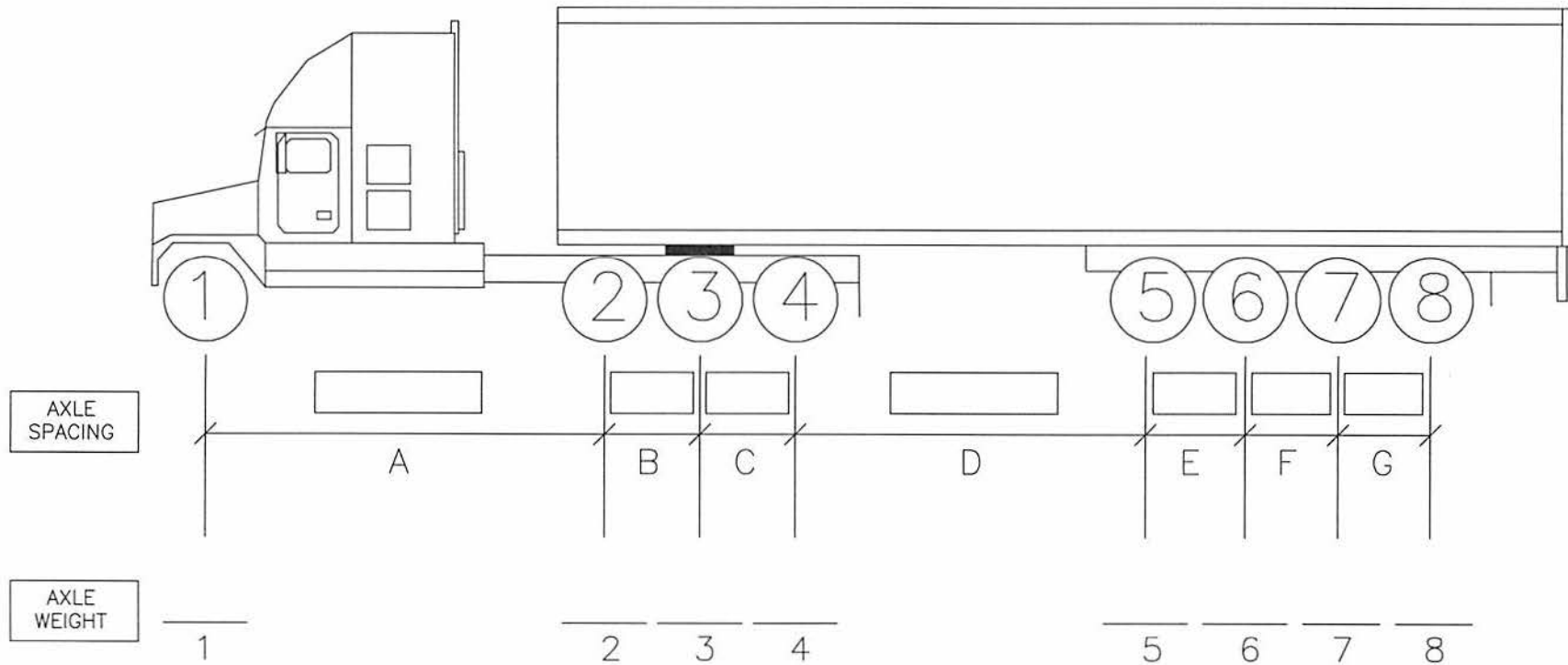
**97,000 LB TRUCK CONFIGURATION**

APPLICANT: \_\_\_\_\_  
TRUCK #: \_\_\_\_\_  
DATE: \_\_\_\_\_

**SPECIAL TRANSPORT  
PERMITS**

**INSTRUCTIONS:**

1. FILL IN THE CENTER-TO-CENTER AXLE SPACINGS IN THE FIRST LINE (ITEMS A-D).
2. FILL IN THE AXLE WEIGHTS IN POUNDS IN THE SECOND LINE (ITEMS 1-5).



**110,000 LB TRUCK CONFIGURATION**

APPLICANT: \_\_\_\_\_  
TRUCK #: \_\_\_\_\_  
DATE: \_\_\_\_\_

**SPECIAL TRANSPORT  
PERMITS**